



TiGLift



**HIGH SAFETY
LONG LIFE
TIME BATTERY**



**HIGH EFFICIENCY
MOTOR**



**EXCELLENT POWER
MANAGEMENT
SYSTEM**



**RELIABLE
HYDRAULIC SYSTEM**

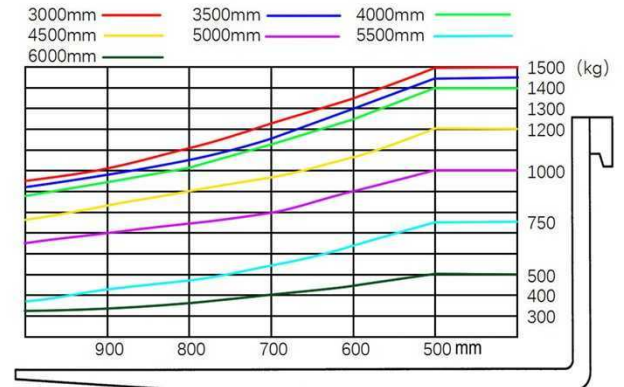
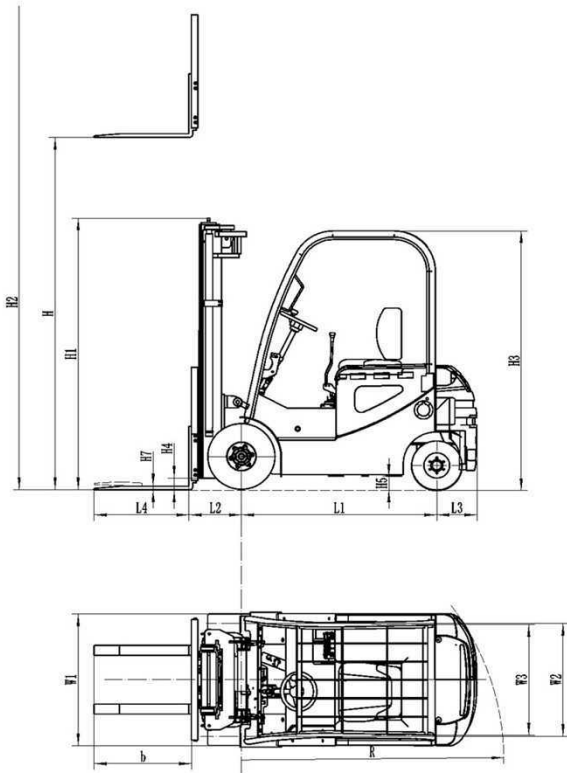


FORKLIFT

1.5T ELECTRIC FORKLIFT

CPD15

Forklift Parameter Load Curve Diagram



TECHNICAL SPECIFICATIONS FOR FORKLIFT			
Model			CPD15
Rated Capacity		kg	1500
Load Center		mm	500
Power Type			Lithium Battery
Driving Type			Ride-on Type
Wheelbase	(L1)	mm	1550
Front Tread	(W2)	mm	945
Rear Tread	(W3)	mm	880
Front Overhang	(L2)	mm	325
Mast Tilting Angle (Forward-Backward)		°	5/10
Max. Lifting Height	(H)	mm	3000
Free Lift Height	(H7)	mm	105
Overall Height (Mast Lowered)	(H1)	mm	2200
Overall Height (Mast Extended)	(H2)	mm	4055
Overhead Guard Height	(H3)	mm	2110
Overall Length (Including Fork)		mm	3150
Overall Length (Without Fork)		mm	2050
Overall Width	(W1)	mm	1096
Min. Ground Clearance	(H4)	mm	88
Min. Turning Radius		mm	2020
Fork Dimensions (L×W×T)		mm	1070×100×40
Max. Driving Speed (No-Load)		km/h	14
Max. Driving Speed (Full-Load)		km/h	12
Max. Lifting Speed (Full-Load/No-Load)		mm/s	270/300
Descending Speed (Full-Load/No-Load)		mm/s	400/350
Gradeability (Full-Load/No-Load)		(%)	15/20
Curb Weight		kg	2650
Number of Wheels (X = Driving Wheels (Front/Rear))			2/2
Tire Type (Front/Rear)			Solid Tire
Tire Size (Front/Rear)			6.5-10 16*6.8
Driving Brake			Hydraulic-Foot Step Type
Parking Brake			Mechanical-Manual
Driving Motor Power (S2-60min)		kW	4
Lifting Motor Power (S3-15%)		kW	5
Driving Motor Control Mode			mosfet/pmsm
Lifting Motor Control Mode			mosfet/pmsm
Hydraulic System Pressure		MPa	18
Battery Capacity		V/Ah	76.8V/205Ah

ELECTRIC COUNTERBALANCE FORKLIFT SERIES

PRODUCTS PHOTOS



ATTACHMENTS



CABIN



ELECTRONIC SHIT



FAST CHARGING



LEADING BRAND LITHIUM BATTERY



OPTIONAL MAST



OPTIONAL TOYOTA SEATS



PNEUMATIC TIRE CUSHION TIRE